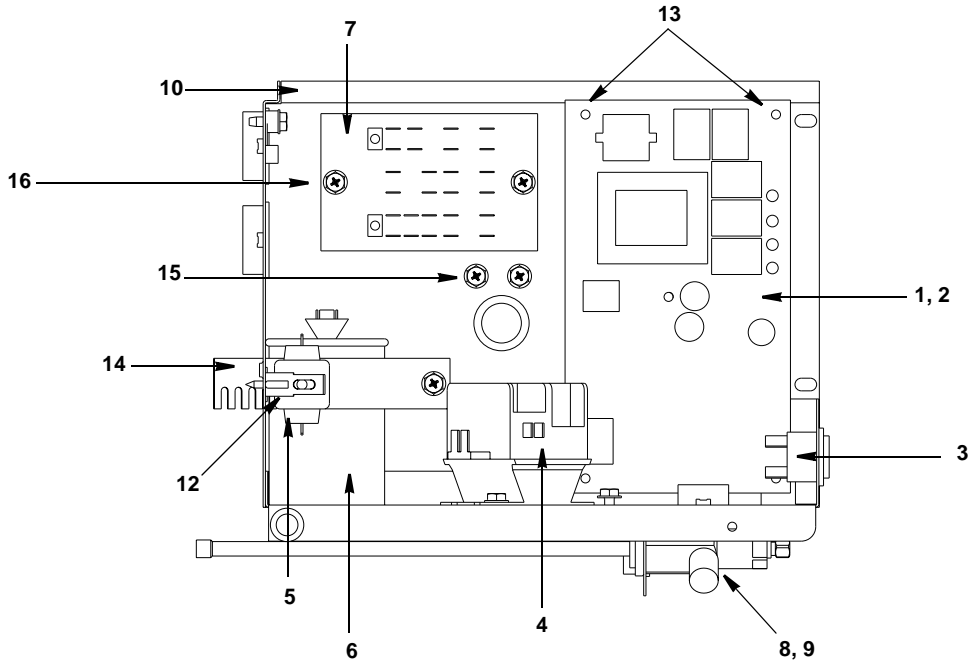


## ECV300 CONTROL BOX



pt1176

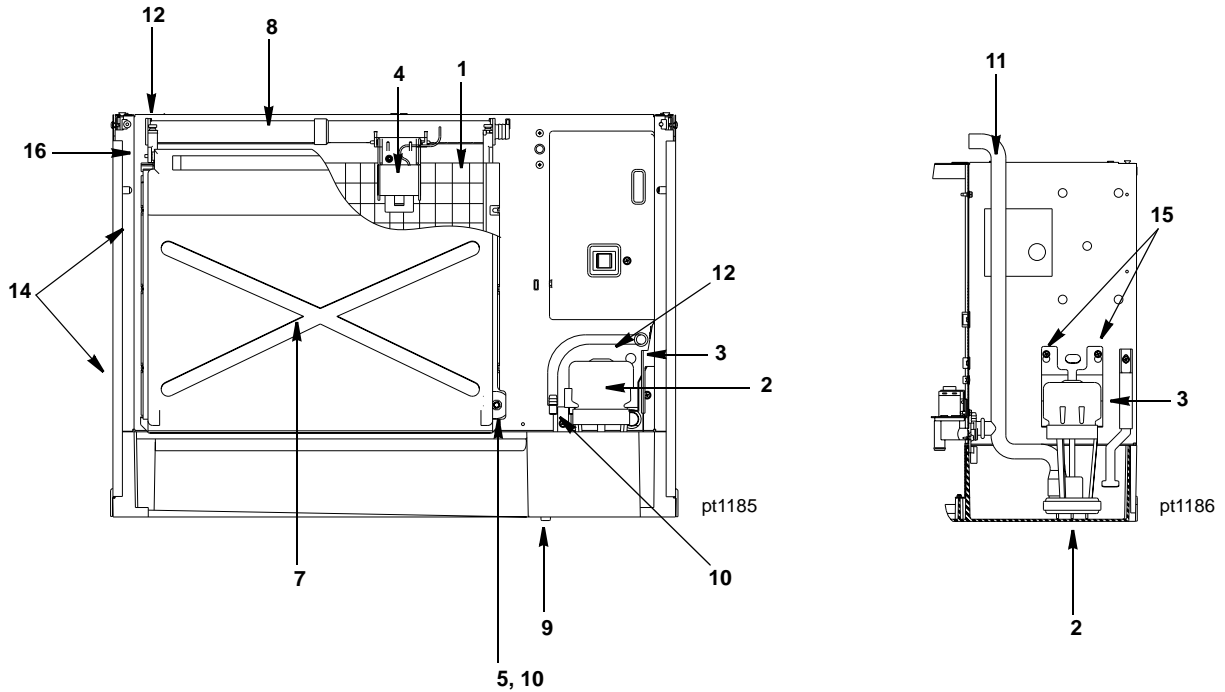
### DESCRIPTION

DESCRIPTION	PART NO.
1 Control Board (for use with all voltages) . . . . .	† 76-2782-3
2 7 Amp Fuse – Mounted on Control Board . . . . .	25-1100-3
3 <b>Toggle Switch</b> Only . . . . .	23-0134-3
a. Toggle Switch with Wiring Harness Attached . . . . .	20-3217-3
4 Contactor (208-230V/60 Hz/1 Ph or 230V/50 Hz/1 Ph) . . . . .	† 20-0154-3
5 P.T.C.R. Compressor Starter . . . . .	85-0499-3
6 <b>Compressor Run Capacitor</b> . . . . .	85-0366-3
7 <b>Terminal Board with Wire Harness Attached</b>	
a. 230V/60 Hz/1 Ph . . . . .	20-3229-3
b. 50 Hz/1 Ph . . . . .	20-3230-3
8 Refrigeration Service Valve Assembly . . . . .	83-7326-3

### Miscellaneous – Brackets, Screws, etc.

9 Locknut Used to Mount Refrigeration Service Valves . . . . .	† 54-7503-9
10 Control Box . . . . .	602559-3
11 Control Box Cover (Not shown) . . . . .	† 76-2852-3
12 P.T.C.R. Compressor Starter Mounting Bracket . . . . .	85-0501-3
13 Control Board Mounting Supports . . . . .	43-0225-3
14 Capacitor Mounting Strap . . . . .	602495-1
15 Screw, #10-24 x .50 Ground . . . . .	† 52-0216-9
16 Screw, #10-24 x .50 . . . . .	† 52-0206-9

## ECV300 EVAPORATOR COMPARTMENT



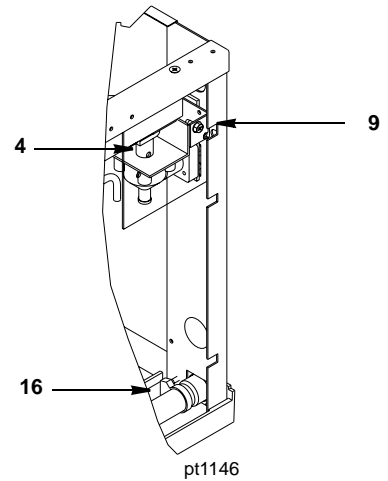
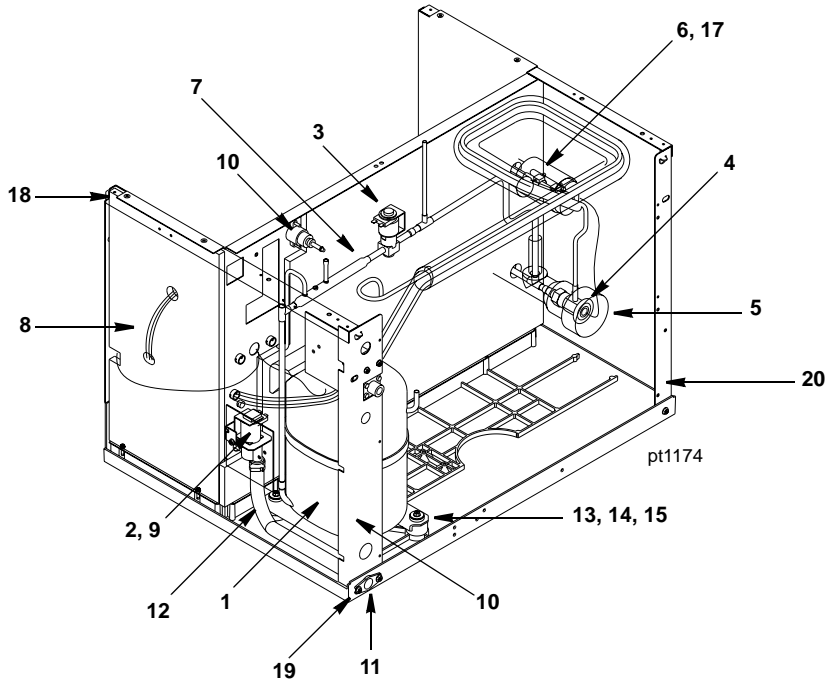
### DESCRIPTION

	DESCRIPTION	PART NO.
1	<b>Evaporator Assembly</b>	
	a. Regular Cube . . . . .	† 76-2512-9
	b. Dice Cube . . . . .	† 76-2511-9
	c. Half Dice Cube . . . . .	† 76-2510-9
2	Water Pump (208-230V/60 Hz or 230V/50 Hz) . . . . .	† 76-2601-3
3	<b>Float Valve</b> . . . . .	83-6904-9
	a. Strainer . . . . .	83-6906-9
	b. Cap . . . . .	83-6914-9
	c. Nut . . . . .	56-5072-9
	d. Plunger . . . . .	83-6908-9
4	Ice Thickness Control Probe . . . . .	† 76-2781-3
5	Magnetic Bin Switch (Mounted to Evaporator). . . . .	† 23-0148-3
6	Water Flow Clamp – Use on Regular Cube Evap. Only (Not shown) . . . . .	76-2054-3
7	Water Curtain . . . . .	† 43-0464-3
8	Water Distribution Tube . . . . .	† 76-2498-3
9	Water Trough . . . . .	40-0020-3

### Miscellaneous – Brackets, Screws, etc.

10	Water Curtain Magnet with Attachment Clip . . . . .	† 76-2802-3
11	Tubing (Water Pump Out) . . . . .	44-2109-3
12	Screw, #8-32 x .63 Nylon Water Distribution Tube Mounting. . . . .	† 50-0001-3
13	Screw, #10-24 x .50 . . . . .	† 52-0206-9
14	Screw, #10-24 x .750 Used to Mount Evaporator . . . . .	† 52-0218-9
15	Evaporator Top Molding and Gasket Assembly . . . . .	76-2621-3
16	Water Curtain Pin Assembly . . . . .	76-2776-3
17	Float Valve Bracket . . . . .	620682-4

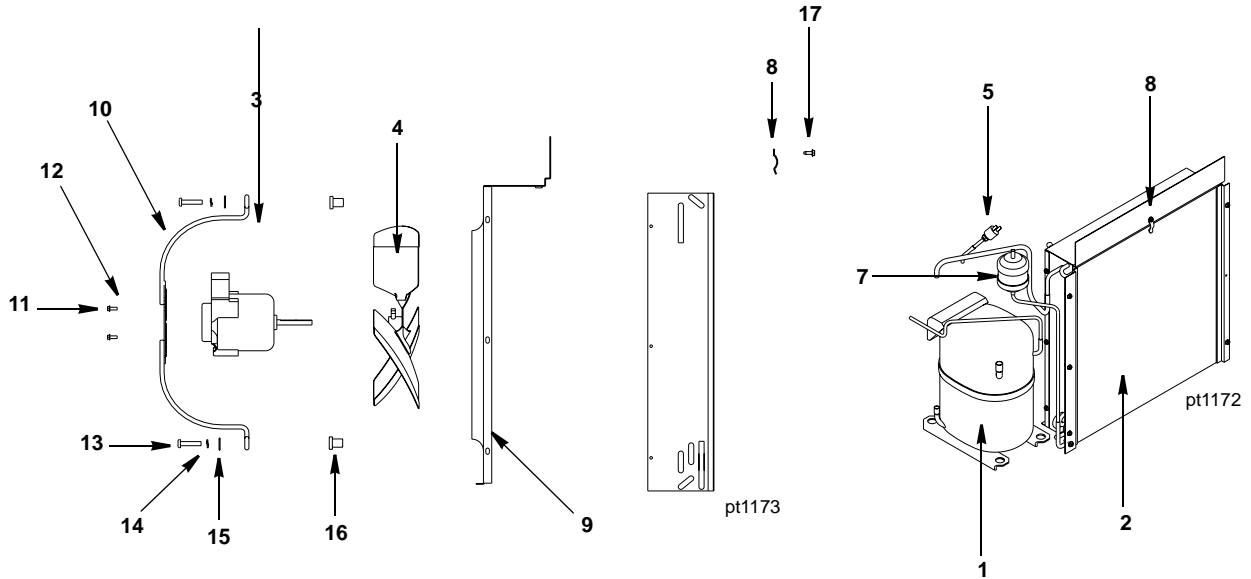
## ECV300 REFRIGERATION COMPARTMENT – COMMON PARTS



### DESCRIPTION

	DESCRIPTION	PART NO.
1	<b>Compressor</b> - 230V/50 Hz/1 Ph. ....	76-2814-3
2	<b>Water Dump Valve</b>	
	a. Dump Valve Assembly without Electrical Coil. ....	† 24-0520-3
	b. Dump Valve Coil Only, 208/230V 50-60 Hz ....	24-0522-3
	c. Dump Valve Rebuild Kit ....	24-0501-3
3	<b>Hot Gas Valve</b>	
	a. Hot Gas Valve Including 208/230V 50/60 Hz Electrical Coil (Danfoss) ....	† 76-3010-1
	b. Hot Gas Valve 208/230V 50-60 Hz Coil Only Danfoss. ....	20-0177-3
	c. Hot Gas Valve 208/230V 50-60 Hz Coil Only Alco. ....	† 24-0448-3
4	Expansion Valve. ....	† 76-0020-3
5	Expansion Valve Body Insulation Boot	
	a. Alco. ....	40-0721-3
	b. Danfoss. ....	40-0036-3
6	Expansion Valve Bulb Insulation Boot. ....	40-0720-3
7	Manifold Strainer - 3 Hole (in front of hot gas valve) ....	83-1015-3
8	Water Pump Electrical Wire Lead. ....	† 20-7810-3
8	High Pressure Cut-out (Auto Reset). ....	† 20-0124-3
<b>Miscellaneous – Brackets, Screws, etc.</b>		
9	Dump Valve. ....	602354-1
10	Right Corner Post Weldment. ....	603991-1
11	Water Drain Female Wing Adapter. ....	87-0608-3
12	Water Drain Vinyl Tubing, .625 ID. ....	44-2134-3
13	Compressor Mounting Rubber Grommet. ....	† 85-0306-9
14	Compressor Mounting Washer. ....	† 55-7341-9
15	Compressor Mounting Screw. ....	† 50-1230-9
16	Clamp, Water Drain. ....	† 56-5070-9
17	Clamp, Expansion Valve Bulb. ....	30-0050-3
18	Screw, #10-24 x .50. ....	† 52-0209-9
19	Screw, #10-24 x .75. ....	† 52-0218-9
20	Left Corner Post Weldment. ....	604001-1
21	Terminal Block (50 Hz only) ....	20-0614-3

## ECV300 REFRIGERATION COMPARTMENT – AIR-COOLED



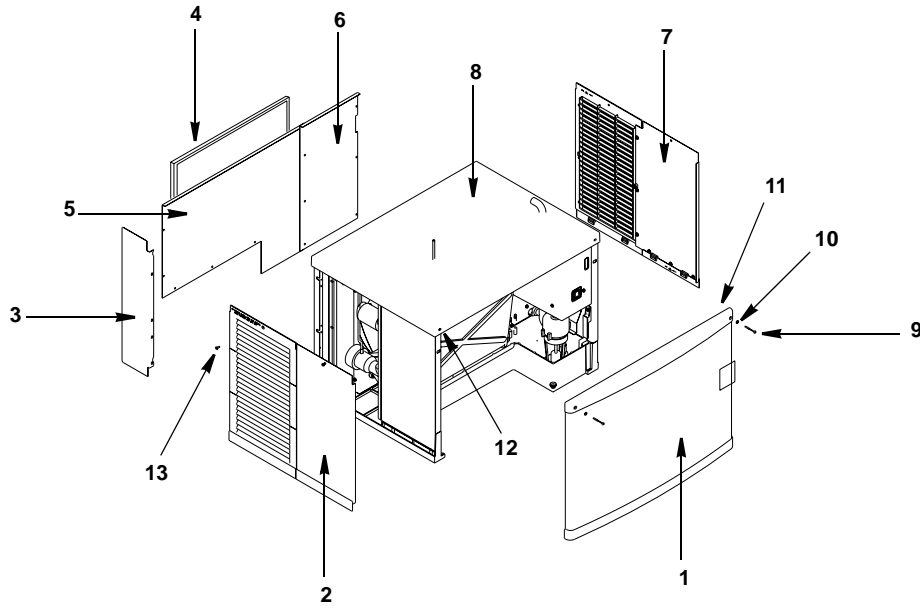
### DESCRIPTION

	PART NO.
1 Compressor (Refer to COMMON PARTS Page) . . . . .	Page 4
2 Air Condenser . . . . .	88-5125-3
3 Fan Motor (208-230V/60 Hz or 230V/50 Hz) . . . . .	† 24-1293-9
4 Fan Blade . . . . .	24-1617-3
5 Fan Cycling Control . . . . .	† 20-0126-3
6 Air Filter (Not shown) . . . . .	40-4018-3
7 Drier . . . . .	† 89-3025-3

### Miscellaneous – Brackets, Screws, etc.

8 Air Filter Clip . . . . .	† 56-5069-9
9 Fan Shroud . . . . .	601880-1
10 Fan Motor Mounting Bracket . . . . .	34-0662-3
11 Fan Motor Mounting Screw . . . . .	† 50-2559-9
12 Fan Motor Mounting Flatwasher . . . . .	† 55-0426-9
13 Fan Bracket Mounting Screw . . . . .	† 50-3358-9
14 Fan Bracket Mounting Lockwasher . . . . .	† 55-4510-9
15 Fan Bracket Mounting Flatwasher . . . . .	† 55-7305-9
16 Fan Bracket Mounting Rubber Wellnut . . . . .	† 54-2955-9
17 Screw, #10-24 x .75 . . . . .	† 52-0218-9
18 Screw, #10-24 x .50 . . . . .	† 52-0206-9
19 Wire Harness Refrigeration System . . . . .	20-0069-3
20 Wire Harness High Pressure Cut-out . . . . .	20-3278-3

# ECV300 PANELS



pt1177

## DESCRIPTION

	<b>PART NO.</b>
1 Front Panel Assembly . . . . .	76-0065-3
2 Left Side Panel . . . . .	76-0066-3
3 Air Baffle . . . . .	602363-1
4 Air Filter . . . . .	40-4018-3
5 Back Panel, Water or Remote . . . . .	601998-1
6 Back Panel, Air . . . . .	604205-1
7 Right Side Panel . . . . .	76-0067-3
8 Top Cover . . . . .	43-0015-3

## Miscellaneous – Brackets, Screws, etc.

9 Front Cover Screw . . . . .	† 51-1901-9
10 Front Cover Washer . . . . .	† 55-7338-9
11 Front Cover Screw Retainer . . . . .	56-4825-9
12 Speed Nut Assembly to Mount Front Cover . . . . .	† 54-7303-9
13 Screw, #10-24 x .50 Flat . . . . .	† 52-0209-9
14 Extruded Tape (Not shown) . . . . .	† 92-0250-9
15 Front Top Support (Not Shown) . . . . .	† 658041-9